

## General Measurement Worksheet

Rolly Tasker designs your sail using state of the art computer design software. However, the design is only as good as the data input for their computer model. Therefore, it is important that our designers have accurate measurements to build your sail to your satisfaction.

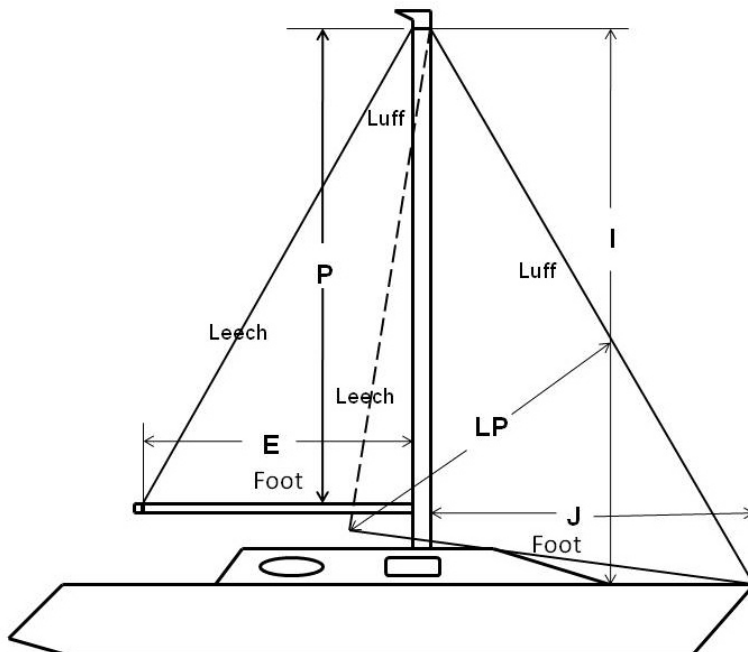
Name	
Address	
Phone #	
Email	
Boat Type	
Boat Length	
Year Built	
Masthead or Fractional	
Boat Displacement	
Quote #	

### General Rig Measurements

	I	From the deck to the intersection of forestay and mast (or black band)
	J	From the front of the mast to the tack fitting
	P	Point of highest reach of mainsail (or black band) to the top of boom
	E	From the back of the mast to desired clew point along the boom (or black band)
	% LP	% LP is used to describe the size of the headsail

- Mainsail   
  Bolt Rope   
  Slug   
  Slide   
  # Reefs  
 Standard Short Leech Battens   
  2+2 Battens   
  Full Batten  
 Headsail   
  Head Foil   
  Hanks   
  Roller Furler  
 Asymmetrical   
  Symmetrical  
 Type of sailing   
  Off Shore   
  Coastal Cruising   
  Casual Cruising

Comments

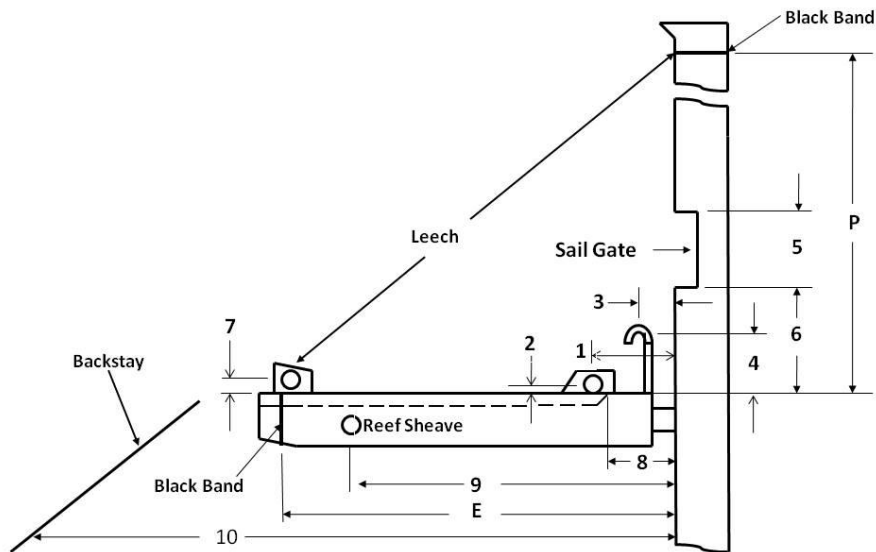








## Mainsail Measurement Worksheet

Measure using the drawing below and instructions below.

Mainsail                  Mizzen

	P	Point of highest reach of mainsail (or black band) measured to the top of boom (or black band)
	E	From the back of the mast to desired clew point along the boom (or black band)
	Py	Longest reach of mizzen measured to the top of boom
	Ey	Longest reach of mizzen measured to desired clew point along the boom from back of mast
	Leech	Point of highest reach of mainsail (or black band) to desired clew point at end of boom
	Rake	Mast rake measured (using weighted halyard as plumb line to deck [not touching]) to mast
	1	Tack set back measured from back of mast to center line of tack fitting
	2	Tack set up measured from top of boom to center line of tack fitting
	3	Reef hook set back measured from back of mast to center line of reef hook fitting
	4	Reef hook set up measured from top of boom to center line of reef hook fitting
	5	Sail slot height
	6	Sail gateway height measured from top of boom to bottom of groove
	6.1	Luff groove gap
	7	Clew set up measured from top of boom to center line of clew attachment
	8	Foot entry measured from back of mast
	8.1	Boom groove gap
	9	Reef sheave measured from back of mast (identify each sheave)
	9.1	Reef sheave measured from back of mast (identify each sheave)
	10	Back stay measured from back of mast along top of boom



<u>Luff Attachment</u>		<u>Attachment Size</u>					<u>Foot Attachment</u>		<u>Attachment Size</u>				
	Internal Slug or Boltrope	5/16"	3/8"	7/16"	1/2"	Other		Internal Slug or Boltrope	5/16"	3/8"	7/16"	1/2"	Other
	Internal Slide	5/8"	3/4"	7/8"	Other			Internal Slide	5/8"	3/4"	7/8"	Other	
	External Track	5/8"	7/8"	Other				External Track	5/8"	7/8"	Other		

## Headsail Measurement Worksheet

Attach a tape measure to the Genoa halyard and hoist as far as it will go. With a furling system attach tape to swivel sail attachment point. With the tape measure hoisted follow the worksheet below.

Tuff Luff Type & Model				
Roller Furler Type & Model				
Luff Tape Size (E below)				
Hanks				
Clew Height	High		Med	Low

### Genoa/Jib/Staysail

I	From the deck to the intersection of the forestay and mast
J	From the center of the stay at the stem to the front of the mast along center line of boat
1	From the cabin top to the intersection of the forestay and mast
2	Pass measuring tape around shrouds to front of Genoa track and pull tight
3	Pass measuring tape around shrouds to back of Genoa track and pull tight
A	Luff measured from shackle to shackle
B	Sail insertion height measured from shackle to where sail enters furling foil
C	Tack height measured from deck to top of tack shackle
D	Measured from back of foil to center eye of tack shackle
7	Measured from the center of the stay at the stem to aft of track parallel to center line of boat
8	Measured from the center of the stay at the stem to front of track parallel to center line of boat
9	Center Line of mast to the shroud base
10	Center Line to the front end of the Genoa track
11	Center Line to back end of the Genoa track

